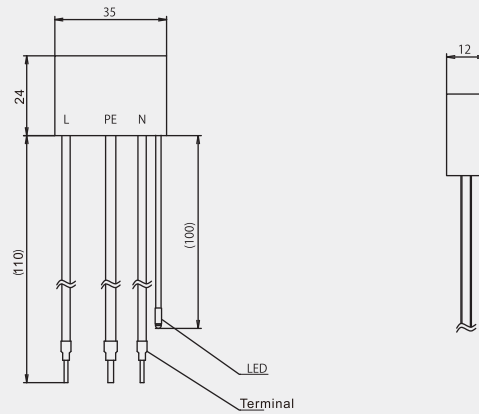
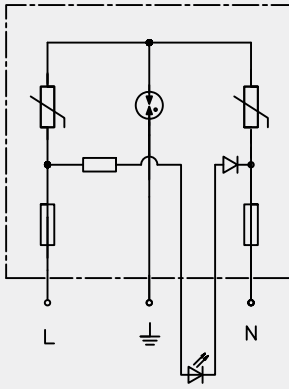
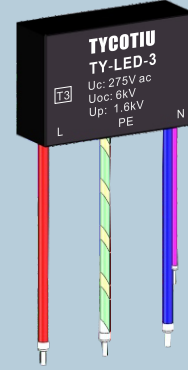


TY-LED-3

Type 3 Surge Arrester



		TY-LED-3
SPD classification according to EN61643-11		Type 3
SPD classification according to IEC61643-11		Class III
Nominal a.c. voltage	Un	230V
Max. continuous operating a.c. voltage	Uc	275V
Frequency		50-60Hz
Nominal discharge current (8/20 μs)	In	3kA
Max. discharge current (8/20 μs)	I _{max}	6kA
Combined impulse	Uoc	6kV/3kA
Voltage protection level	Up	1.6kV
Response time	t _A	≤100ns
Operating temperature range	Tu	-40°C-80°C
Operating state/fault indication		No light: OK ; Red light on: fault
Section of cables		1.0mm ²
Length of cables		110mm
Degree of protection		Surge protector: IP65; Led light: IP40